

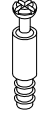


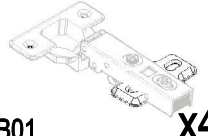
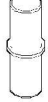
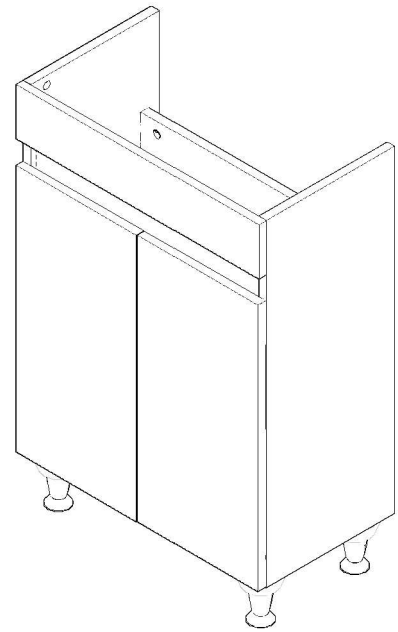
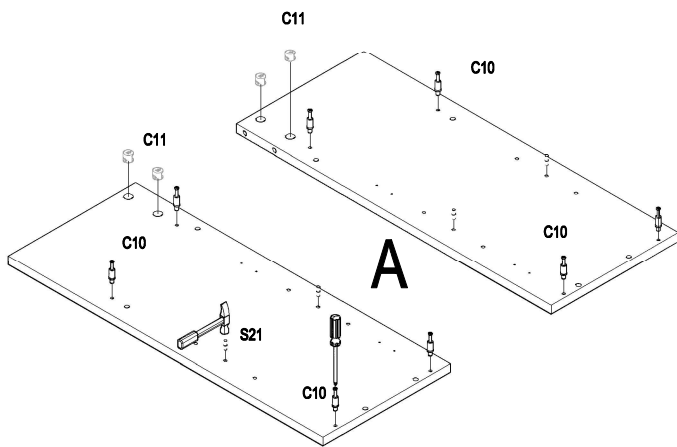


NR.66

 3.5x16 S01 x32	 C01 x8	 C10 x12	 C11 x12	 P01 x4	 B01 x4
 S21 x4					

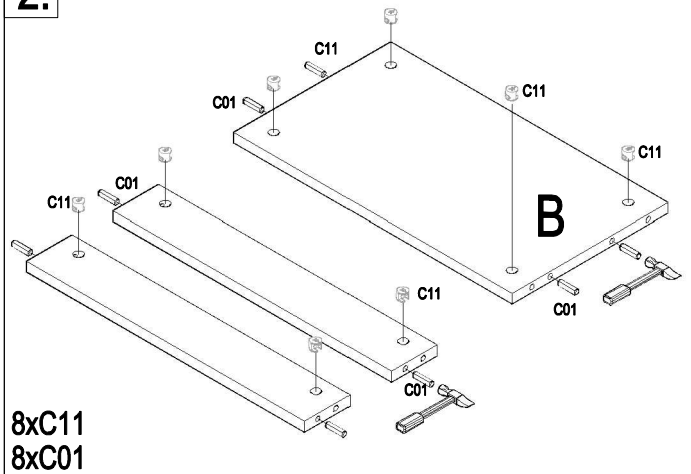


1.

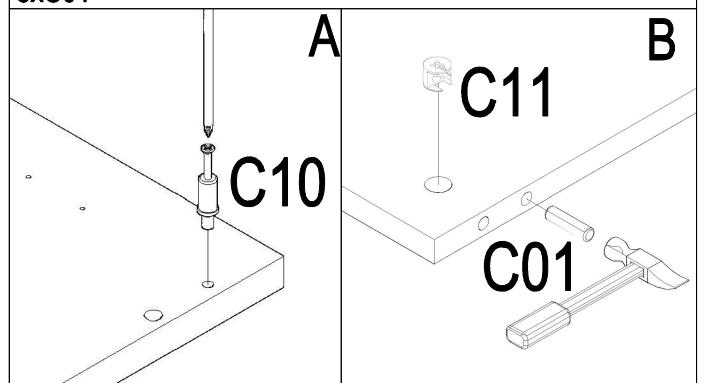


4xS21
4xC11
8xC10

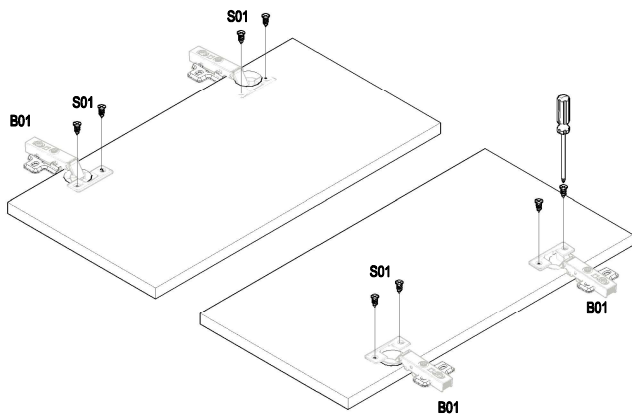
2.



8xC11
8xC01

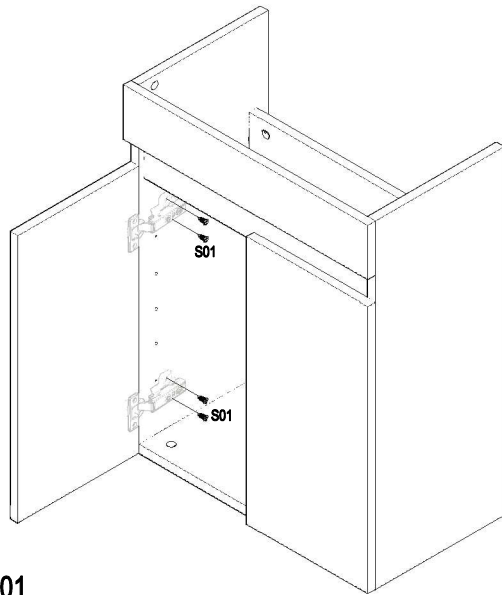


3.



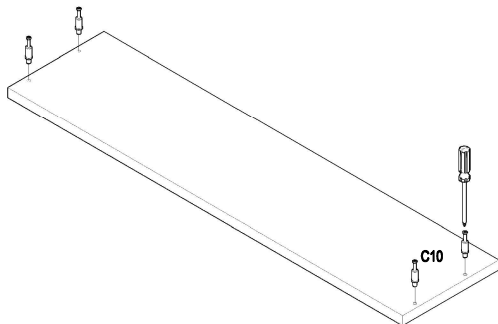
8 x S01
4 x B01

6



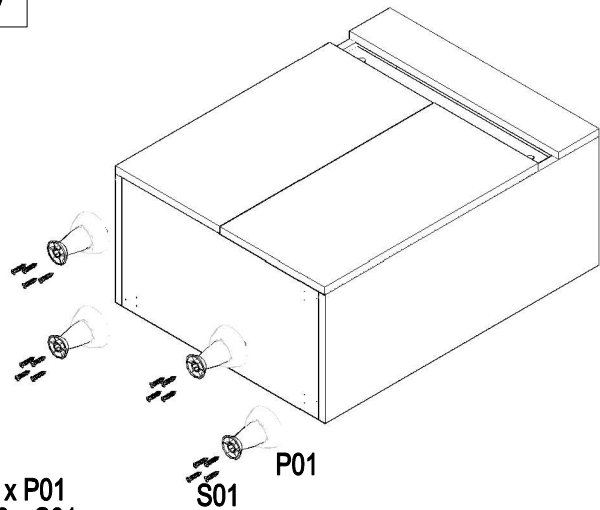
8 x S01

4.



4xC10

7



4 x P01
16 x S01

5

